



design by Cornerstone Architectural Group | Roy Wright Inc. photographer

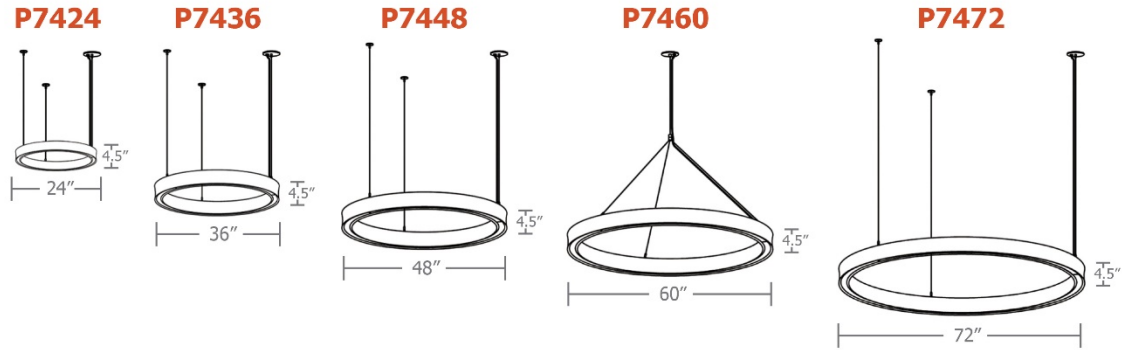


)(ula™ 5-slider

your lighting rep has
recommended the)(ula™
ring pendant for your project
Let's take a quick look:



sizes and lumens



- P7424 (24") / 6520 direct – 3189 indirect lm
- P7436 (36") / 9780 direct – 4789 indirect lm
- P7448 (48") / 12610 direct – 5938 indirect lm
- P7460 (60") / 15800 direct – 9170 indirect lm
- P7472 (72") / 20049 direct – 10610 indirect lm

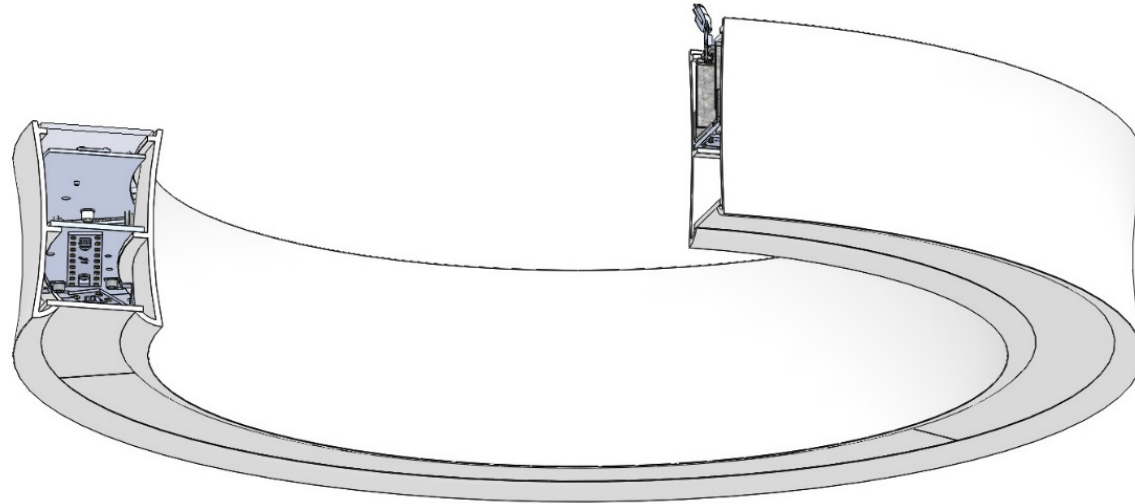


construction

integral programmable drivers, field maintainable, universal input (120-277v), 0-10v controllable, 1% dimming.

custom 2-row LED board w/ high efficiency mid-power LEDs

three point vertical or single point tripod mounting utilizing 12' long stainless-steel cables w/ field adjustable grippers



hourglass curved profile with a soft bullnose bottom return

.118" thick laser cut optimum light diffusion acrylic w/ 72% light transmission

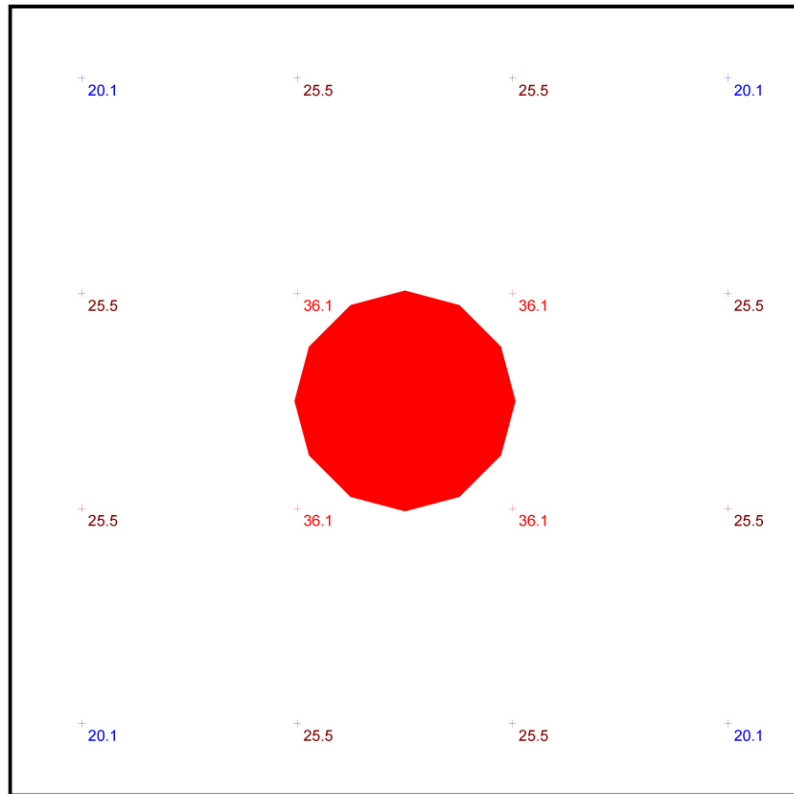
matte white standard finish or choose premium finish RAL colors in gloss, semi-gloss or satin sheen

seamless single piece aluminum extrusion roll-formed into a perfect circle

performance

Statistics

Description	Symbol	Avg	Min	Max/Min	Avg/Min	Max
(1) 6' dia.)(ula	+	26.8 fc	20.1 fc	1.8:1	1.3:1	36.1 fc



Plan View
Scale - 1" = 4ft

- 22' x 22' x 22'H space
- 80/50/20 reflectances
- bottom of fixture at 18' aff
- FC readings at 2.5' aff
- layout conducted using P7472 HI lumen package (20049 direct / 10610 indirect delivered lumens)





www.impactltg.com

- spec sheet and color chart
- photometric files and BIM models
- built to order in Saint Louis, MO, USA
- 6-week lead time

)ula™ 5-slider

